

ECO (Engineering change order) 27190;28343;33193

Background/Contesto **138516, 138709, 138710, 139242, 139243, 139262, 140689, 141745, 141746, 144520, 145005, 147005, 149021, 149528, 359859, 368736, 382100, 385772, 409753, 427382, 643215, 643380, 643559, 644832**

Replaced parts/ Componenti sostituiti	<b>131824 (1), 131825 (1)</b>	New parts/ Componenti sostituenti	<b>63190 (1)</b>
--	-----------------------------------	--------------------------------------	------------------

Interchangeability/Intercambiabilita' **Yes/Si**

Technical background For standardization reasons the epicycloidal crown Z60 p/n 131824 and the epicycloidal wheel carrier hub p/n 131825 will be supplied at stock exhaustion. As replacement, we will supply the hub-ring kit p/n 63190 in order to guarantee the complete interchangeability.

In addition to the axles listed in the background, the involved axles are the following:

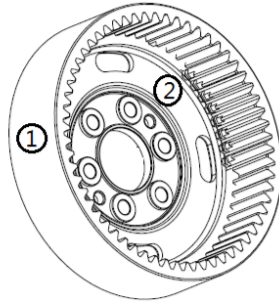
131830, 137942, 141316, 141317, 149169, 149561, 149562, 371671, 405854, 371656, 399078, 423028, 427827, 432917, 370221, 389881, 389882, 396055, 401905, 644081, 644776.

Motivazione tecnica Per standardizzazione i codici 131824 corona epicicloidale Z60 e 131825 mozzo fermo corona verranno forniti fino alla fine dello stock. In sostituzione forniamo il cod. 63190 kit mozzo + corona che garantisce la perfetta intercambiabilit.

Oltre agli assali indicati nel contesto, sono coinvolti anche: 131830, 137942, 141316, 141317, 149169, 149561, 149562, 371671, 405854, 371656, 399078, 423028, 427827, 432917, 370221, 389881, 389882, 396055, 401905, 644081, 644776.

Picture/Immagine

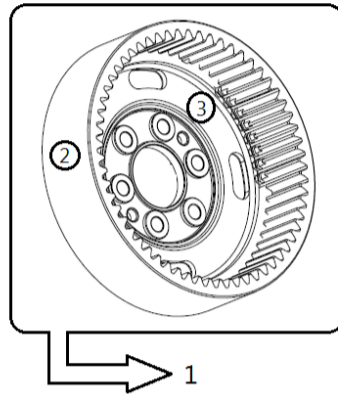
Previous version



- 1= 131824 Epicycloidal ring gear
- 2= 131825 Epic. wheel carrier hub



New version



- 1= 63190 Hub-ring kit
- 2= 125452 Epicycloidal ring gear
- 3= 134298 Epic. wheel carrier hub